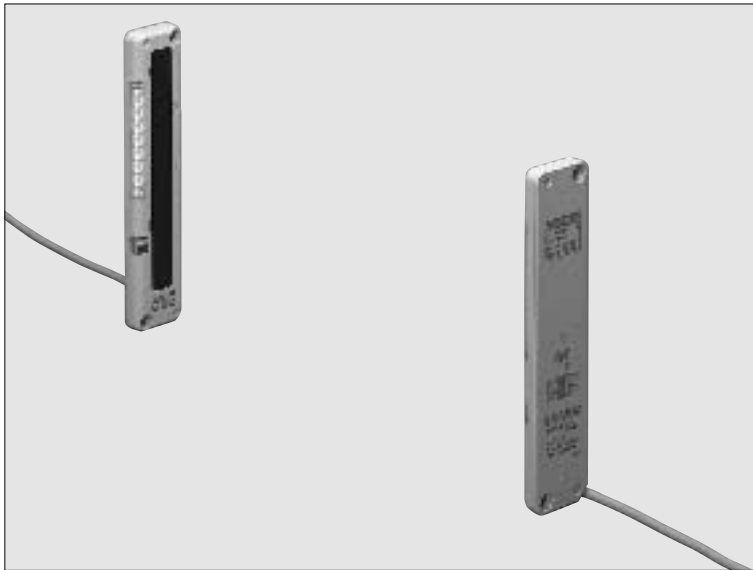


NA1-PK5/5

Ultra-slim Body Picking Sensor

SERIES



Even a slim hand is detected by the 25 mm (0.984 in) pitch beam curtain



10 mm 0.394 in thick: half the thickness of conventional models

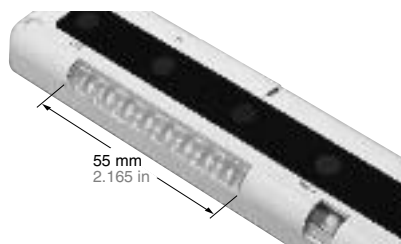
Space savings now possible; ultra-thin design does not obstruct picking operations.



Cable can be freely arranged in any position

Clearly visible job indicator

Bright, easy-to-see job indicators, 55 mm 2.165 in length, have been incorporated into both the emitter and the receiver. This sensor is optimal for picking. With the **NA1-PK5**, we've enhanced visibility even further by using 8 orange LED lights.

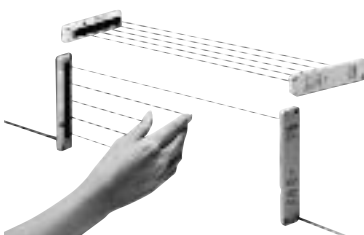


Long sensing range: 3 m 9.843 ft **NA1-5**

Its long sensing range of 3 m 9.843 ft is sufficient for confirming access to a parts shelf. Further, if the sensor has been set to the Light-ON mode, the output is turned OFF should the cable break.

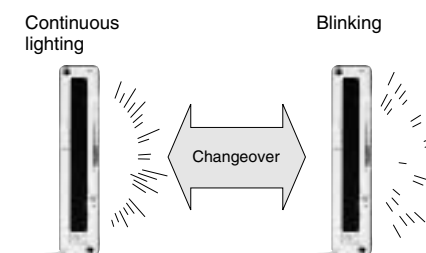
Two unit installations are possible

Sensor units can now be set to different light emission frequencies, in order to prevent mutual interference. Two units can now be operated in a side-by-side configuration without interference, for problem-free detection over wider areas.



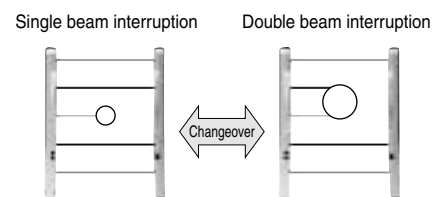
Lighting pattern selectable

The job indicator operation can be selected as either continuous lighting or blinking.



Selectable detection operation

Either of two different detection operations may be selected, in order to best suit the particular application. Sensor units can be set to detect the interruption of 1 or more beam channels, or can be set to detect only the interruption of 2 or more beam channels.



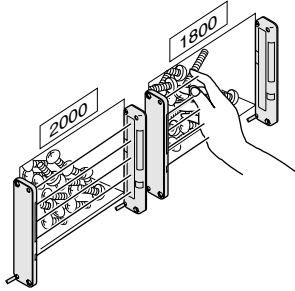
All opaque bodies with $\varnothing 35$ mm $\varnothing 1.378$ in or greater will be detected.

The accidental passage of small objects through the beam axis will not trigger detection, yet the operator's hands will always be accurately detected. This function is also useful when small objects regularly interrupt the beam axis.

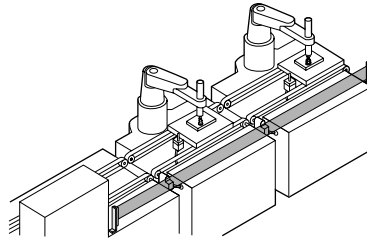
NA1-PK5/5

APPLICATIONS

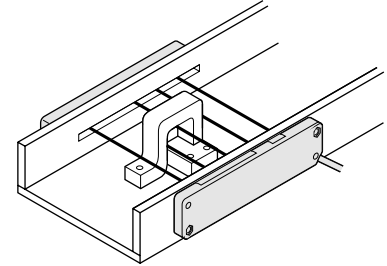
Preventing wrong parts picking



Access control on assembly line



Detecting parts having wide positioning area

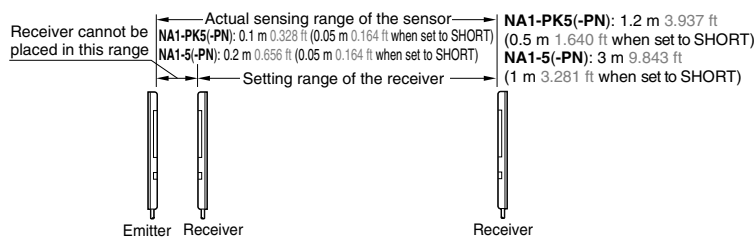


WARNING Never use this product in any personnel safety application.

ORDER GUIDE

Type	Appearance	Sensing range (Note)	Model No.	Output
High-luminous job indicator type		0.1 to 1.2 m 0.328 to 3.937 ft	NA1-PK5	NPN open-collector transistor
		(0.05 to 0.5 m 0.164 to 1.640 ft) when set to SHORT.	NA1-PK5-PN	PNP open-collector transistor
Long sensing range type		0.2 to 3 m 0.656 to 9.843 ft	NA1-5	NPN open-collector transistor
		(0.05 to 1 m 0.164 to 3.281 ft) when set to SHORT.	NA1-5-PN	PNP open-collector transistor

Note: The sensing range is the possible setting distance between the emitter and the receiver. **NA1-PK5(-PN)** can detect an object less than 0.1 m 0.328 ft (0.05 m 0.164 ft when set to SHORT) away. **NA1-5(-PN)** can detect an object less than 0.2 m 0.656 ft (0.05 m 0.164 ft when set to SHORT) away.



5 m 16.404 ft cable length type, pigtailed type

5 m 16.404 ft cable length type (standard: 2 m 6.562 ft) and pigtailed type (standard: cable type) are also available.

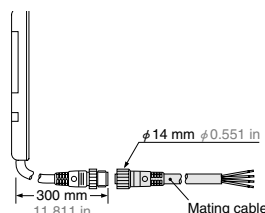
• Table of Model Nos.

Type	Standard type	5 m 16.404 ft cable length type	Pigtailed type (Note)
High-luminous job indicator type	NA1-PK5	—————	NA1-PK5-J
	NA1-PK5-PN	—————	NA1-PK5-PN-J
Long sensing range type	NA1-5	NA1-5-C5	NA1-5-J
	NA1-5-PN	—————	NA1-5-PN-J

Note: Please order the suitable mating cable separately for pigtailed type.

• Mating cable (2 cables are required.)

Model No.	Description
CN-24-C2	4-core, cable length 2 m 6.562 ft
CN-24-C5	4-core, cable length 5 m 16.404 ft



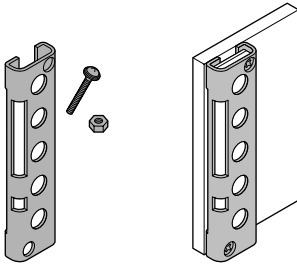
NA1-PK5/5

OPTIONS

Designation	Model No.	Description
Sensor mounting bracket	MS-NA1-1	Four bracket set (Four M4 (length 15 mm 0.591 in) screws with washers, eight nuts, four hooks, four spacers and eight M4 (length 18 mm 0.709 in) screws with washers are attached. (Spacers are not attached with MS-NA1-1 .)
	MS-NA2-1	
Sensor protection bracket	MS-NA3	It protects the sensor body. Two silver bracket set (Four M4 (length 15 mm 0.591 in) screws with washers, and four nuts are attached. It protects the sensor body. Two black bracket set (Four M4 (length 15 mm 0.591 in) screws with washers, and four nuts are attached.
	MS-NA3-BK	
Slit mask	OS-NA1-5	The slit mask restrains the amount of beam emitted or received. (Seal type, 10 pcs. in 1 set)
Y-shaped connector	SL-WY 5 pcs. per set	This connector is able to combine the cables of receiver and emitter into one.

Sensor protection brackets

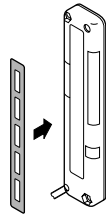
- MS-NA3
- MS-NA3-BK



M4 screws with washers, and nuts are attached.

Slit mask

- OS-NA1-5



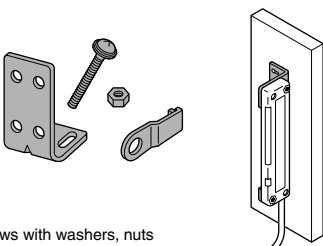
Since the slit mask is seal type, it can be used by sticking it to the detection surface.

Take care that the sensing range will be reduced when the slit mask is used.

Please contact our office for details.

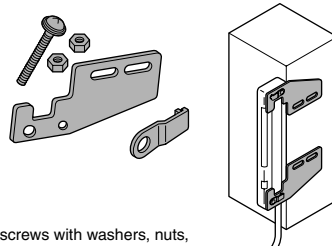
Sensor mounting brackets

- MS-NA1-1



M4 screws with washers, nuts and hooks are attached.

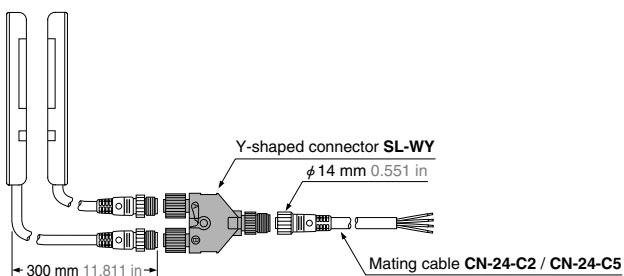
- MS-NA2-1



M4 screws with washers, nuts, and hooks and spacers are attached.

Y-shaped connector

- SL-WY



NA1-PK5/5

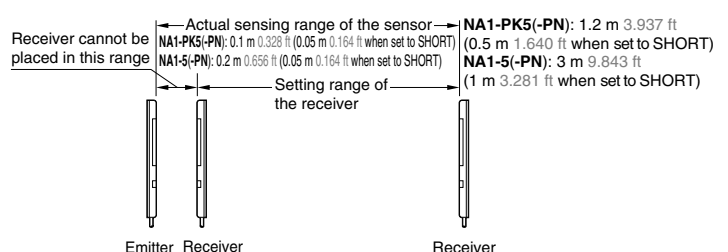
SPECIFICATIONS

Type		NPN output		PNP output	
		High-luminous job indicator type	Long sensing range type	High-luminous job indicator type	Long sensing range type
Item	Model No.	NA1-PK5	NA1-5	NA1-PK5-PN	NA1-5-PN
Sensing height		100 mm 3.937 in			
Sensing range (Note 1)		0.1 to 1.2 m 0.328 to 3.937 ft (0.05 to 0.5 m 0.164 to 1.640 ft when set to SHORT)	0.2 to 3 m 0.656 to 9.843 ft (0.05 to 1 m 0.164 to 3.281 ft when set to SHORT)	0.1 to 1.2 m 0.328 to 3.937 ft (0.05 to 0.5 m 0.164 to 1.640 ft when set to SHORT)	0.2 to 3 m 0.656 to 9.843 ft (0.05 to 1 m 0.164 to 3.281 ft when set to SHORT)
Beam pitch		25 mm 0.984 in			
Number of beam channels		5 beam channels			
Sensing object		φ 35 mm φ 1.378 in or more opaque object			
Supply voltage		12 to 24 V DC ± 10 % Ripple P-P 10 % or less			
Power consumption (Note 2)		Emitter: 0.5 W or less, Receiver: 0.8 W or less		Emitter: 0.6 W or less, Receiver: 0.9 W or less	
Output		NPN open-collector transistor		PNP open-collector transistor	
		<ul style="list-style-type: none"> • Maximum sink current: 100 mA • Applied voltage: 30 V DC or less (between output and 0 V) • Residual voltage: 1 V or less (at 100 mA sink current) 		<ul style="list-style-type: none"> • Maximum source current: 100 mA • Applied voltage: 30 V DC or less (between output and + V) • Residual voltage: 1 V or less (at 100 mA source current) 	
		Utilization category		DC-12 or DC-13	
		Output operation		ON or OFF when one or more beam channels are interrupted / ON or OFF when two or more beam channels are interrupted, selectable by operation mode switch	
Short-circuit protection		Incorporated			
Response time		10 ms or less (when the interference prevention is used, in Light state: 30 ms or less, in Dark state: 13 ms or less)			
Indicators	Emitter	Power indicator: Green LED (lights up when the power is ON) Job indicator: Orange LED (lights up or blinks when the job indicator input is Low,) (lighting pattern is selected by operation mode switch)		Power indicator: Green LED (lights up when the power is ON) Job indicator: Orange LED (lights up or blinks when the job indicator input is High,) (lighting pattern is selected by operation mode switch)	
	Receiver	Operation indicator: Red LED (lights up when one or more beam channels are interrupted, but lights up when two beam channels or more are interrupted in the double-beam-interruption mode) Stable incident beam indicator: Green LED (lights up when all beam channels are stably received) Job indicator: Orange LED (lights up or blinks when the job indicator input is Low,) (lighting pattern is selected by operation mode switch)		Operation indicator: Red LED (lights up when one or more beam channels are interrupted, but lights up when two beam channels or more are interrupted in the double-beam-interruption mode) Stable incident beam indicator: Green LED (lights up when all beam channels are stably received) Job indicator: Orange LED (lights up or blinks when the job indicator input is High,) (lighting pattern is selected by operation mode switch)	
Interference prevention function		Incorporated			
Environmental resistance	Pollution degree	3 (Industrial environment)			
	Protection	IP62 (IEC)			
	Ambient temperature	- 10 to + 55 °C + 14 to + 131 °F (No dew condensation or icing allowed), Storage: - 20 to + 70 °C - 4 to + 158 °F			
	Ambient humidity	35 to 85 % RH, Storage: 35 to 85 % RH			
	Ambient illuminance	Sunlight: 10,000 lx at the light-receiving face, Incandescent light: 3,000 lx at the light-receiving face			
	EMC	EN 50081-2, EN 50082-2, EN 60947-5-2			
	Voltage withstandability	1,000 V AC for one min. between all supply terminals connected together and enclosure			
	Insulation resistance	20 MΩ, or more, with 250 V DC megger between all supply terminals connected together and enclosure			
	Vibration resistance	10 to 150 Hz frequency, 0.75 mm 0.030 in amplitude in X, Y and Z directions for two hours each			
	Shock resistance	490 m/s ² acceleration (50 G approx.) in X, Y and Z directions for three times each			
Emitting element		Infrared LED (synchronized scanning system)			
Material		Enclosure: Heat-resistant ABS, Lens cover: Acrylic, Indicator cover: Acrylic			
Cable		0.3 mm ² 4-core (emitter: 3-core) oil resistant cabtyre cable, 2 m 6.562 ft long			
Cable extension		Extension up to total 100 m 328.084 ft is possible for both emitter and receiver with 0.3 mm ² , or more, cable.			
Weight		Emitter: 80 g approx. Receiver: 85 g approx.	Emitter: 70 g approx. Receiver: 80 g approx.	Emitter: 80 g approx. Receiver: 85 g approx.	Emitter: 70 g approx. Receiver: 80 g approx.

- Notes: 1) The sensing range is the possible setting distance between the emitter and the receiver. **NA1-PK5(-PN)** can detect an object less than 0.1 m 0.328 ft (0.05 m 0.164 ft when set to SHORT) away, **NA1-5(-PN)** can detect an object less than 0.2 m 0.656 ft (0.05 m 0.164 ft when set to SHORT) away.
- 2) Obtain the current consumption by the following equation.

$$\text{Current consumption} = \text{Power consumption} \div \text{Supply voltage}$$

(e.g.) When the supply voltage is 12 V,
the current consumption of the emitter is:
 $0.5 \text{ W} \div 12 \text{ V} \approx 0.042 \text{ A} = 42 \text{ mA}$



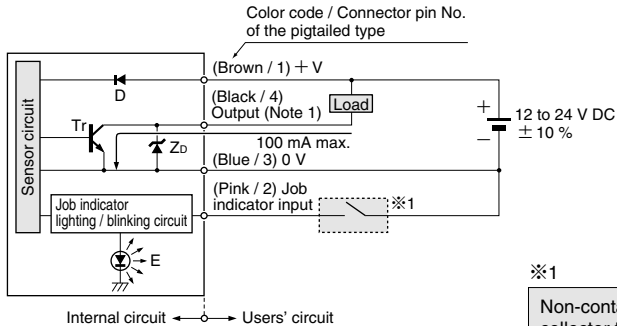
NA1-PK5/5

I/O CIRCUIT AND WIRING DIAGRAMS

**NA1-PK5
NA1-5**

NPN output type

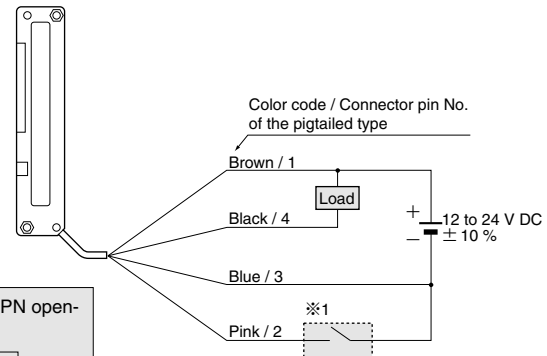
I/O circuit diagram



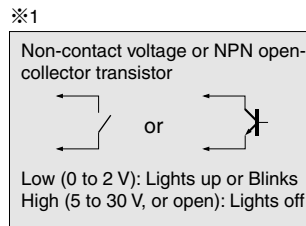
- Notes: 1) The emitter does not incorporate the output.
2) Unused wire must be insulated to ensure that they do not come into contact with wires already in use.

Symbols ... D : Reverse supply polarity protection diode
Zd : Surge absorption zener diode
Tr : NPN output transistor
E : Job indicator (IND.)

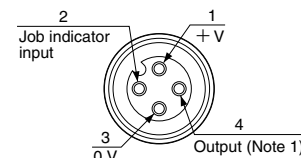
Wiring diagram



- Notes: 1) The emitter does not incorporate the black lead wire.
2) Unused wire must be insulated to ensure that they do not come into contact with wires already in use.



Connector pin position (Pigtailed type)

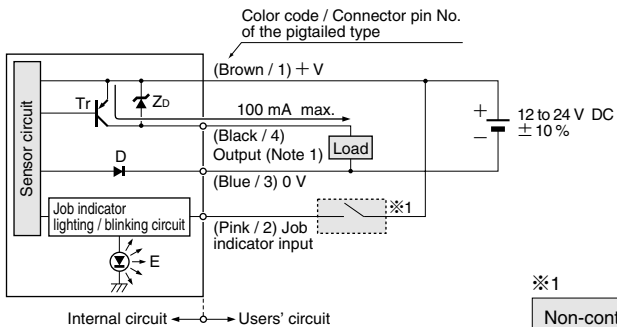


- Notes: 1) No connection is required for the emitter.
2) The pin arrangement of the **SL-WY** Y-shaped connector (optional) is identical to the receiver.

**NA1-PK5-PN
NA1-5-PN**

PNP output type

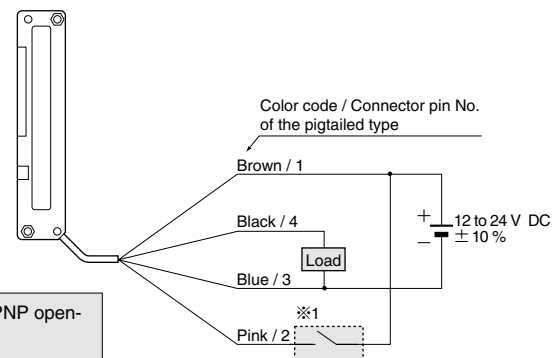
I/O circuit diagram



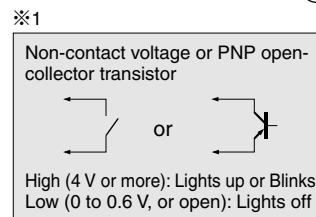
- Notes: 1) The emitter does not incorporate the output.
2) Unused wire must be insulated to ensure that they do not come into contact with wires already in use.

Symbols ... D : Reverse supply polarity protection diode
Zd : Surge absorption zener diode
Tr : PNP output transistor
E : Job indicator (IND.)

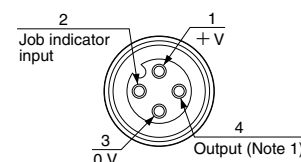
Wiring diagram



- Notes: 1) The emitter does not incorporate the black lead wire.
2) Unused wire must be insulated to ensure that they do not come into contact with wires already in use.



Connector pin position (Pigtailed type)

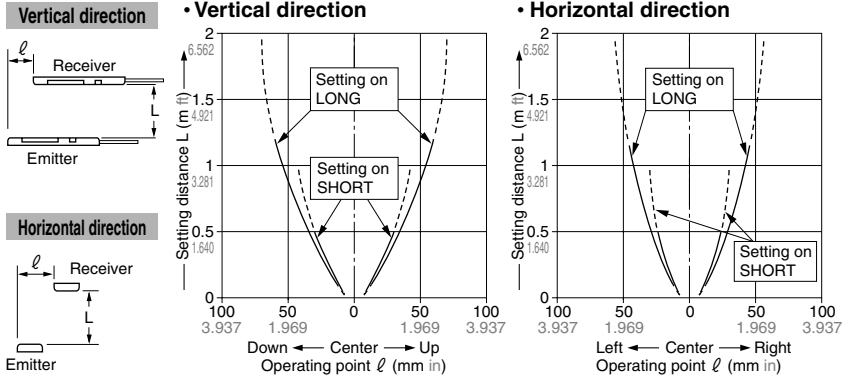


- Notes: 1) No connection is required for the emitter.
2) The pin arrangement of the **SL-WY** Y-shaped connector (optional) is identical to the receiver.

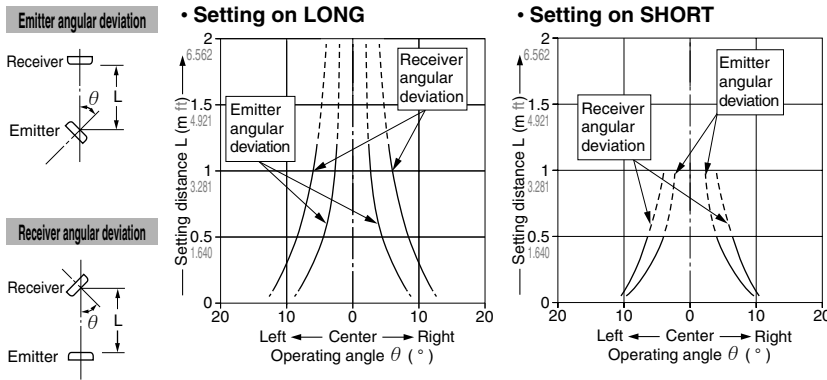
SENSING CHARACTERISTICS (TYPICAL)

NA1-PK5 NA1-PK5-PN

Parallel deviation

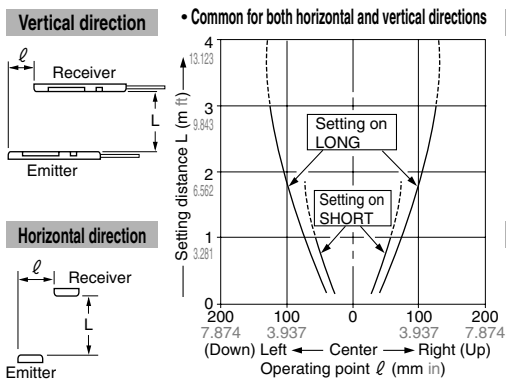


Angular deviation

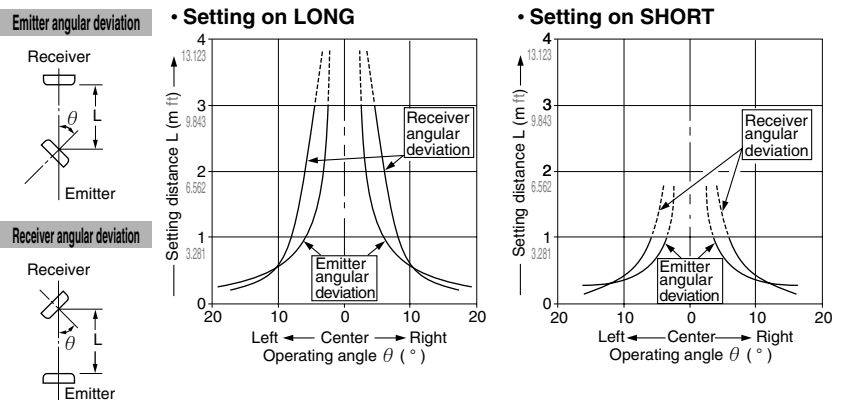


NA1-5 NA1-5-PN

Parallel deviation



Angular deviation



NA1-PK5/5

PRECAUTIONS FOR PROPER USE

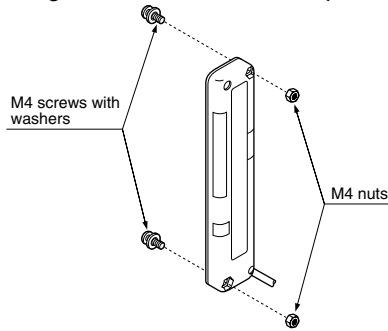


- Never use this product as a sensing device for personnel protection.
- For sensing devices to be used as safety devices for press machines or for personnel protection, use products which meet standards, such as OSHA, ANSI or IEC etc., for personnel protection applicable in each region or country.
- If this product is used as a sensing device for personnel protection, death or serious body injury could result.
- For a product which meets safety standards, use the following products.

Type 4: **SF4-AH** series **SF2-EH** series
 Type 2: **SF2-A** series **SF2-N** series

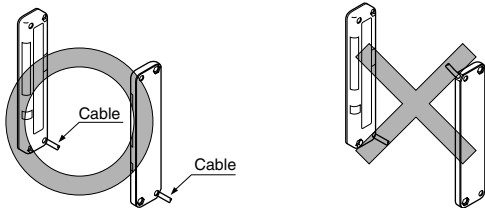
Mounting

- Use M4 screws with washers and M4 nuts. The tightening torque should be 0.5 N·m or less. (Please arrange the screws and nuts separately.)



Orientation

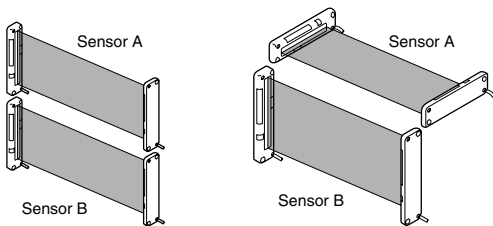
- The emitter and the receiver must face each other correctly. If they are set upside down, the sensor does not work.



Interference prevention function

- By setting different emission frequencies, two units of the sensor can be mounted close together, as shown in the figure below.

(The switches must be set with the power supply off. The operation mode does not change if the switch setting is changed with the power supplied.)



	Operation mode switch	
	Emitter	Receiver
Sensor A (FREQ. A)	FREQ. A FREQ. B	FREQ. A FREQ. B
Sensor B (FREQ. B)	FREQ. A FREQ. B	FREQ. A FREQ. B

LONG / SHORT selection switch (incorporated on the emitter)

- Select the switch setting according to the setting distance between the emitter and the receiver as given below. (The switches must be set with the power supply off. The operation mode does not change if the switch setting is changed with the power supplied.)

Setting distance	Operation mode switch
0.05 to 0.5 m 0.164 to 1.640 ft [NA1-PK5(-PN)] 0.05 to 1 m 0.164 to 3.281 ft [NA1-5(-PN)]	LONG SHORT
0.5 to 1.2 m 1.640 to 3.937 ft [NA1-PK5(-PN)] 1 to 3 m 3.281 to 9.843 ft [NA1-5(-PN)]	LONG SHORT

Selection of output operation

- The output operation mode is selected by the operation mode switch on the receiver. (The switches must be set with the power supply off. The operation mode does not change if the switch setting is changed with the power supplied.)

Output operation	Operation mode switch
ON when one or more beam channels are interrupted (OFF when all beam channels are received).	SINGLE D / ON DOUBLE L / ON
OFF when one or more beam channels are interrupted (ON when all beam channels are received).	SINGLE D / ON DOUBLE L / ON
ON when any two or more beam channels are interrupted.	SINGLE D / ON DOUBLE L / ON
OFF when any two or more beam channels are interrupted.	SINGLE D / ON DOUBLE L / ON

Job indicator operation selection

- Lighting / Blinking is selected by the operation mode switch on the emitter and the receiver. (The switches must be set with the power supply off. The operation mode does not change if the switch setting is changed with the power supplied.)

	Operation mode switch	
	Emitter	Receiver
Lighting	LIGHT FLASH	LIGHT FLASH
Blinking	LIGHT FLASH	LIGHT FLASH

Others

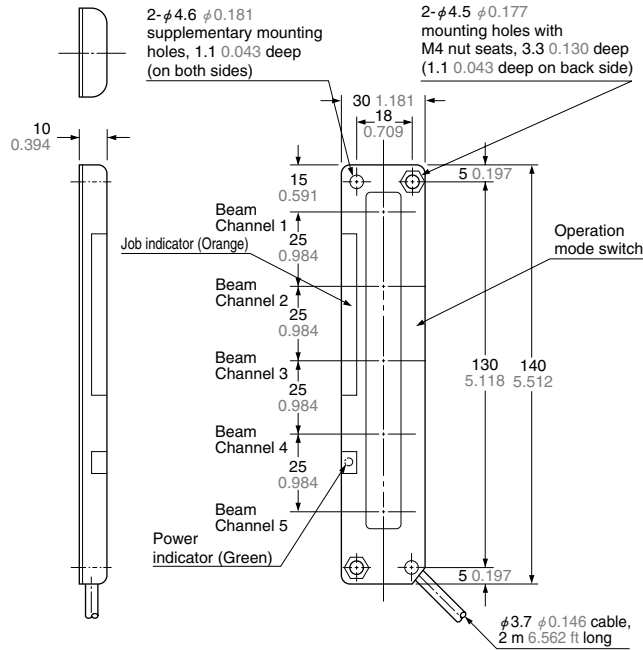
- Do not use during the initial transient time (0.5 sec.) after the power supply is switched on.

NA1-PK5/5

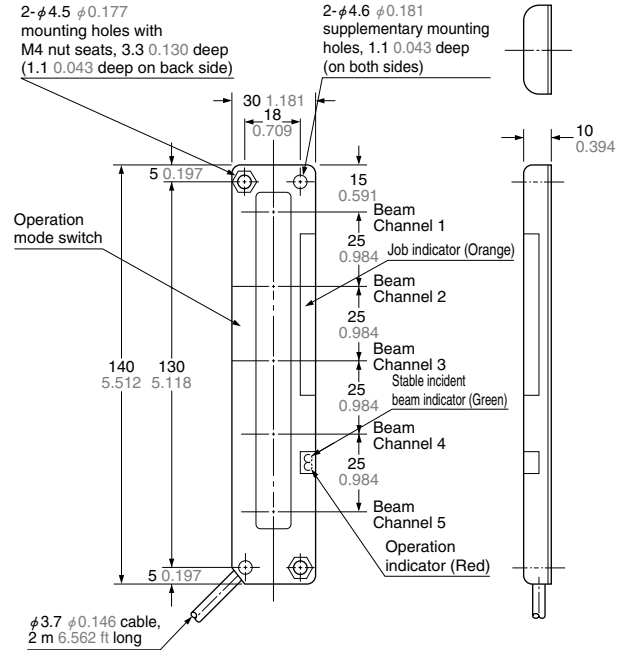
DIMENSIONS (Unit: mm in)

NA1-PK5(-PN) NA1-5(-PN) Sensor

Emitter

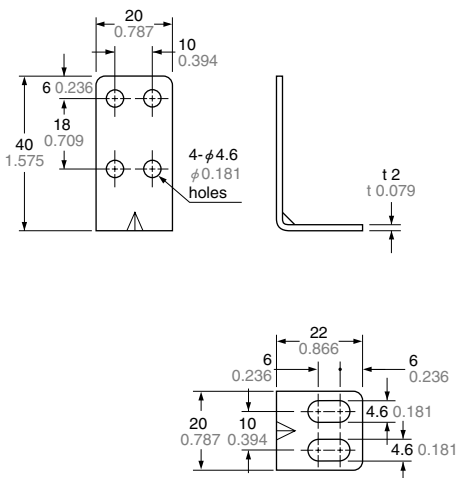


Receiver



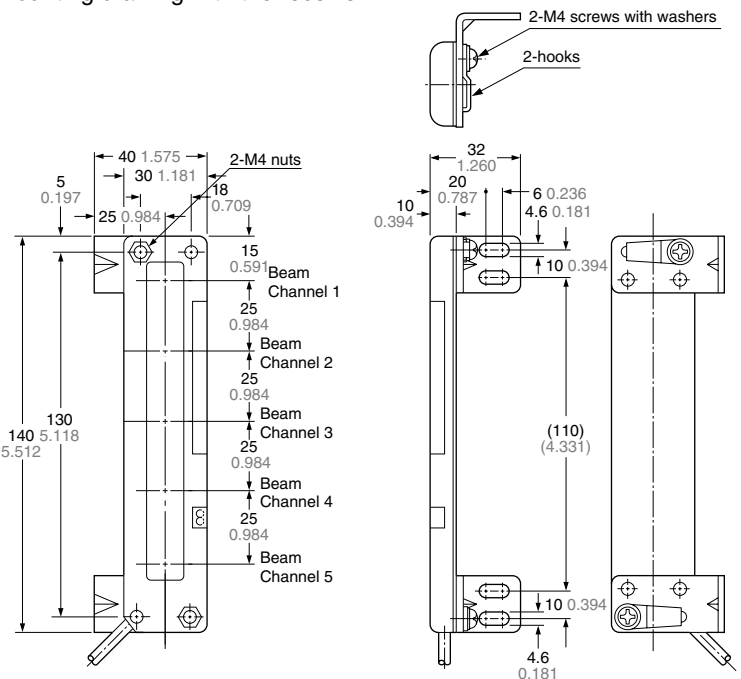
MS-NA1-1 Sensor mounting bracket (Optional)

Assembly dimensions Mounting drawing with the receiver



Material: Cold rolled carbon steel (SPCC)
(Uni-chrome plated)

Four bracket set
(Four M4 (length 15 mm 0.591 in) screws with washers, eight nuts, four hooks and eight M4 (length 18 mm 0.709 in) screws with washers are attached.
(M4 (length 18 mm 0.709 in) screws with washers are not used for NA1-PK5/5 series.)

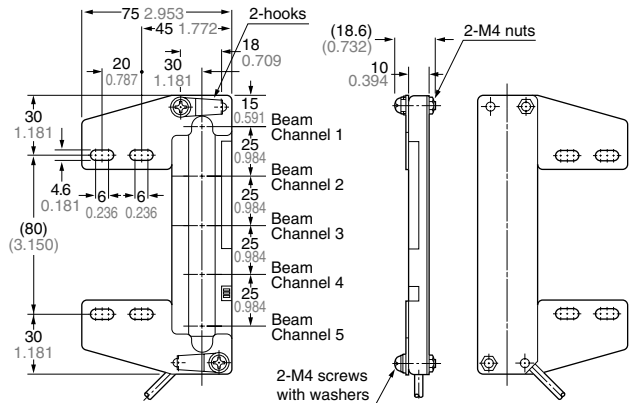
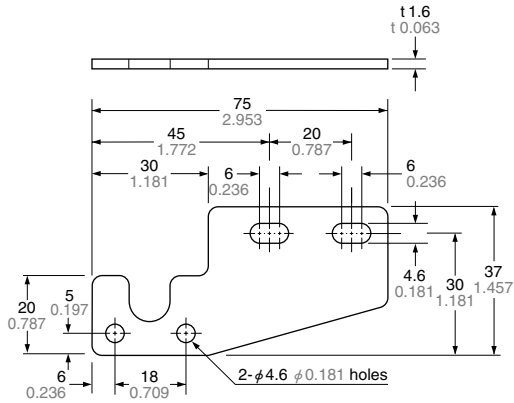


NA1-PK5/5

DIMENSIONS (Unit: mm in)

MS-NA2-1 Sensor mounting bracket (Optional)

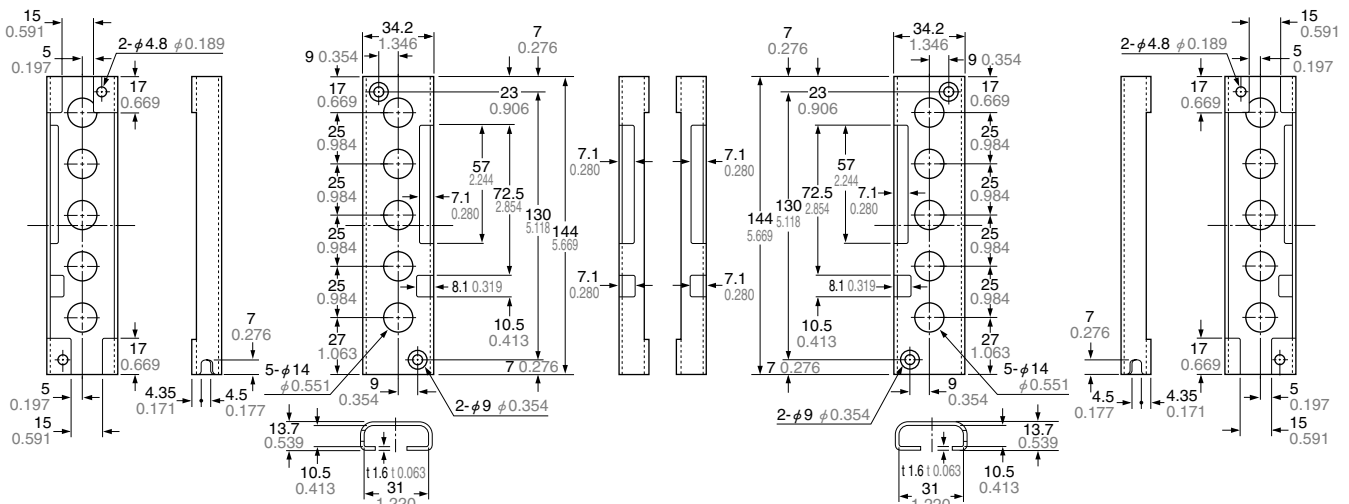
Assembly dimensions Mounting drawing with the receiver



Material: Cold rolled carbon steel (SPCC)
(Uni-chrome plated)

Four bracket set
Four M4 (length 15 mm 0.591 in) screws with washers, eight nuts, four hooks,
four spacers and eight M4 (length 18 mm 0.709 in) screws with washers are
attached.

MS-NA3 MS-NA3-BK Sensor protection bracket (Optional)



For receiver

For emitter

Material: Cold rolled carbon steel (SPCC)
(MS-NA3: Chrome plated, MS-NA3-BK: Black chromate)

Two bracket set
Four M4 (length 15 mm 0.591 in) screws with washers, and four nuts are attached.]